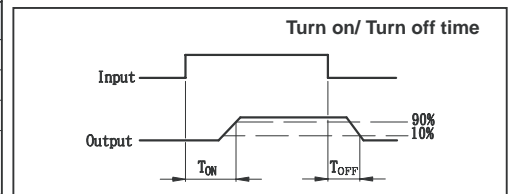
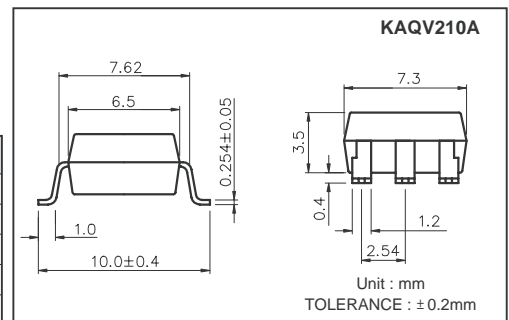
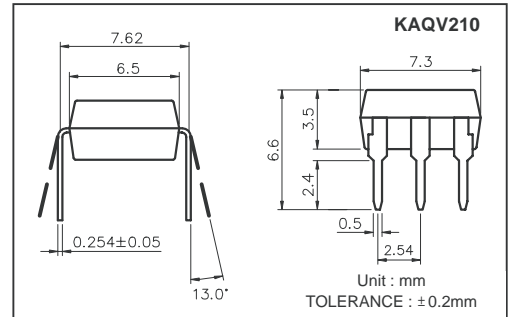


Features

1. Normally Open, Single Pole Single Throw
2. Control 350VAC or DC Voltage
3. Switch 130mA Loads
4. LED control Current, 5mA
5. Low ON-Resistance
6. dv/dt, >500V/ms
7. Isolation Test Voltage, 3750VACrms



Absolute Maximum Ratings

(Ta=25°C)

| Emitter (Input) | | Detector (Output) | |
|----------------------------------|---------------------|--------------------------------|-----------------|
| Reverse Voltage..... | 5.0V | Output Breakdown Voltage | ±350V |
| Continuous Forward Current | 50mA | Continuous Load Current | ±130mA |
| Peak Forward Current | 1A | Power Dissipation | 500mW |
| Power Dissipation | 100mW | | |
| Derate Linearly from 25°C | 1.3mW/°C | | |
| General Characteristics | | | |
| Isolation Test Voltage..... | 3750VACrms | Storage Temperature Range ... | -40°C to +125°C |
| Isolation Resistance | | Operating Temperature Range... | -30°C to +85°C |
| Vio=500V, Ta=25°C | >10 ¹⁰ Ω | Junction Temperature..... | 100°C |
| Total Power Dissipation | 550mW | Soldering Temperature, | |
| Derate Linearly from 25°C | 2.5mW/°C | 2mm from case, 10 sec | 260°C |

Electro-optical Characteristics

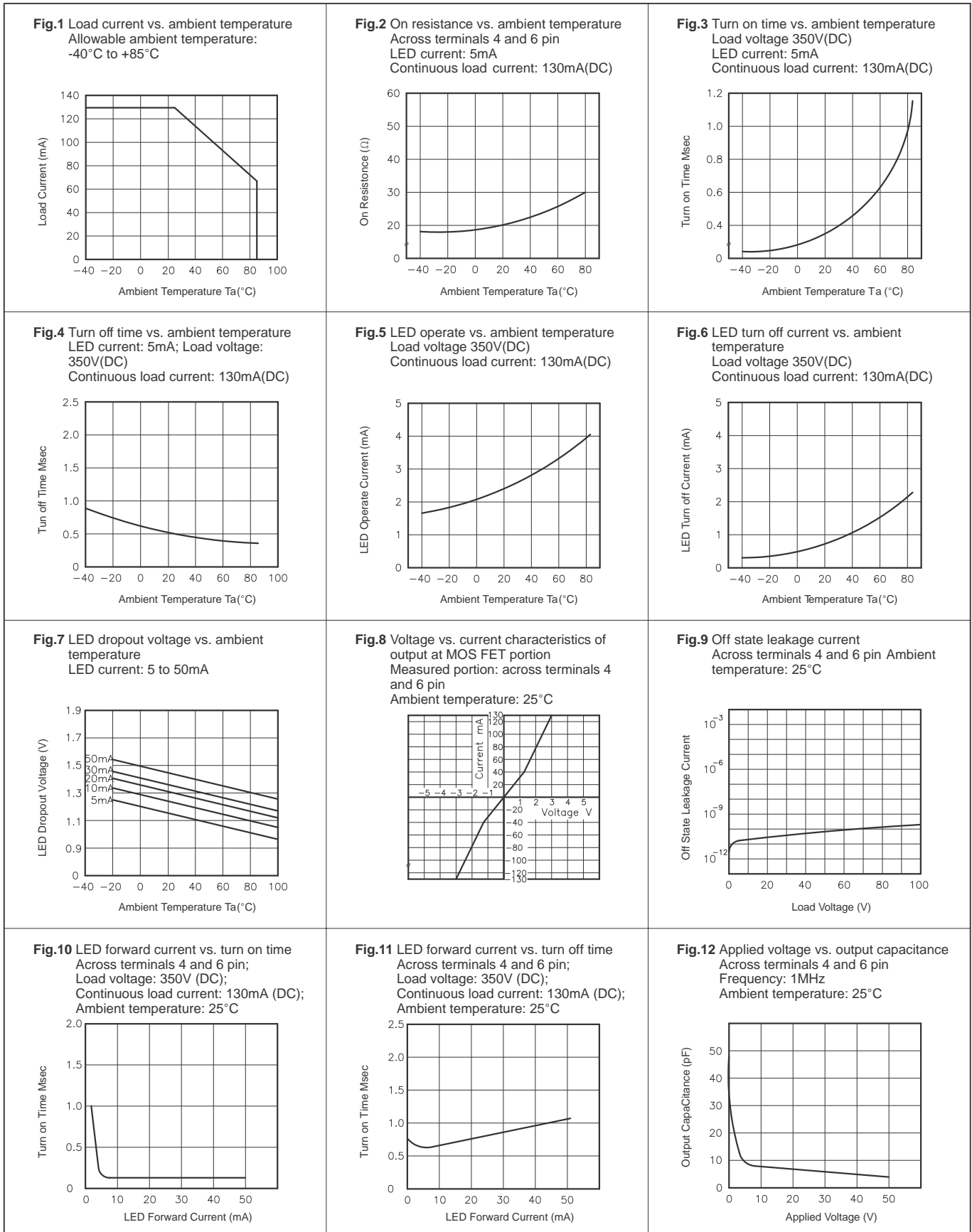
(Ta=25°C)

| Parameter | Symbol | Conditions | Min. | Typ. | Max. | Unit |
|--------------------------|-------------------|---|---|------|------|------|
| Emitter (Input) | | | | | | |
| Forward Voltage | V _F | I _F = 10mA | | 1.2 | 1.5 | V |
| Operation Input Current | I _{FON} | V _L = ±20V, I _L = 100mA, t = 10mS | | | 5 | mA |
| Recovery Input Current | I _{FOFF} | V _L = ±20V, I _L ≤ 5uA | 0.2 | | | mA |
| Detector (Output) | | | | | | |
| Output Breakdown Voltage | V _B | I _B = 50uA | 350 | | | V |
| Output Off-State Leakage | I _{TOFF} | V _T = 100V, I _F = 10mA | | 0.2 | 1 | uA |
| I/O Capacitance | C _{ISO} | I _F = 0, f = 1MHz | | 6 | | p F |
| ON Resistance | Connection | A | I _L = 100mA, I _F = 10mA | 20 | 30 | Ω |
| | | B | | 10 | 15 | |
| | | C | | 5 | 7.5 | |
| Turn-On Time | T _{ON} | I _F = 10mA, V _L = ±20V | | 0.3 | 1.0 | ms |
| Turn-Off Time | T _{OFF} | t = 10ms, I _L = ±100mA | | 0.7 | 1.5 | ms |

Schematic and Wiring Diagrams

| Type | Schematic | Output configuration | Load | Connection | Wiring Diagrams |
|--------------------|-----------|----------------------|-------|------------|-----------------|
| KAQV210 & KAQV210A | | 1a | AC/DC | A | |
| | | | DC | B | |
| | | | DC | C | |

Data Curve



This datasheet has been download from:

www.datasheetcatalog.com

Datasheets for electronics components.